

Figure 1. A Kanban cell in a Petri net

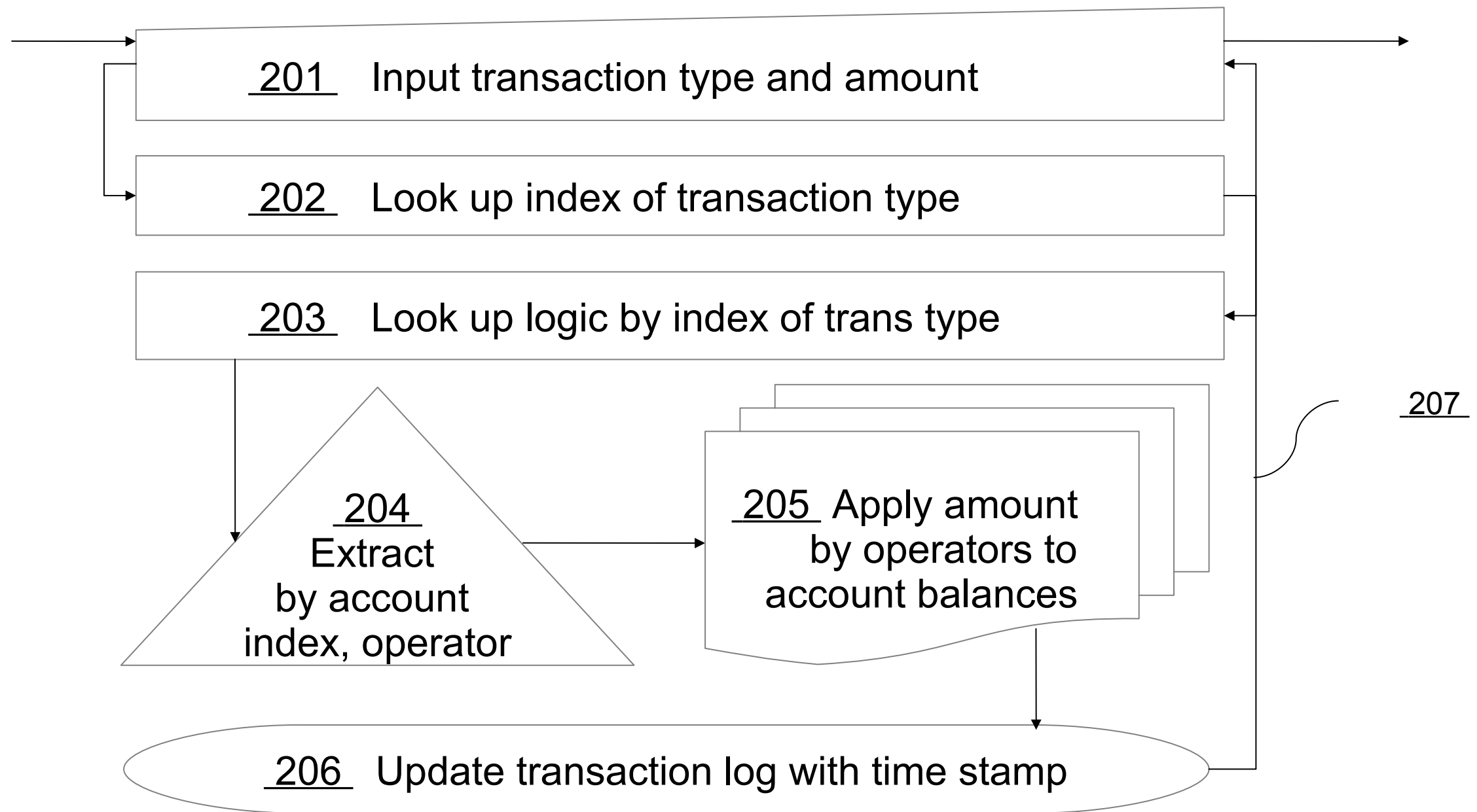


Figure 2. Accounting arithmetic system in N-dimensions

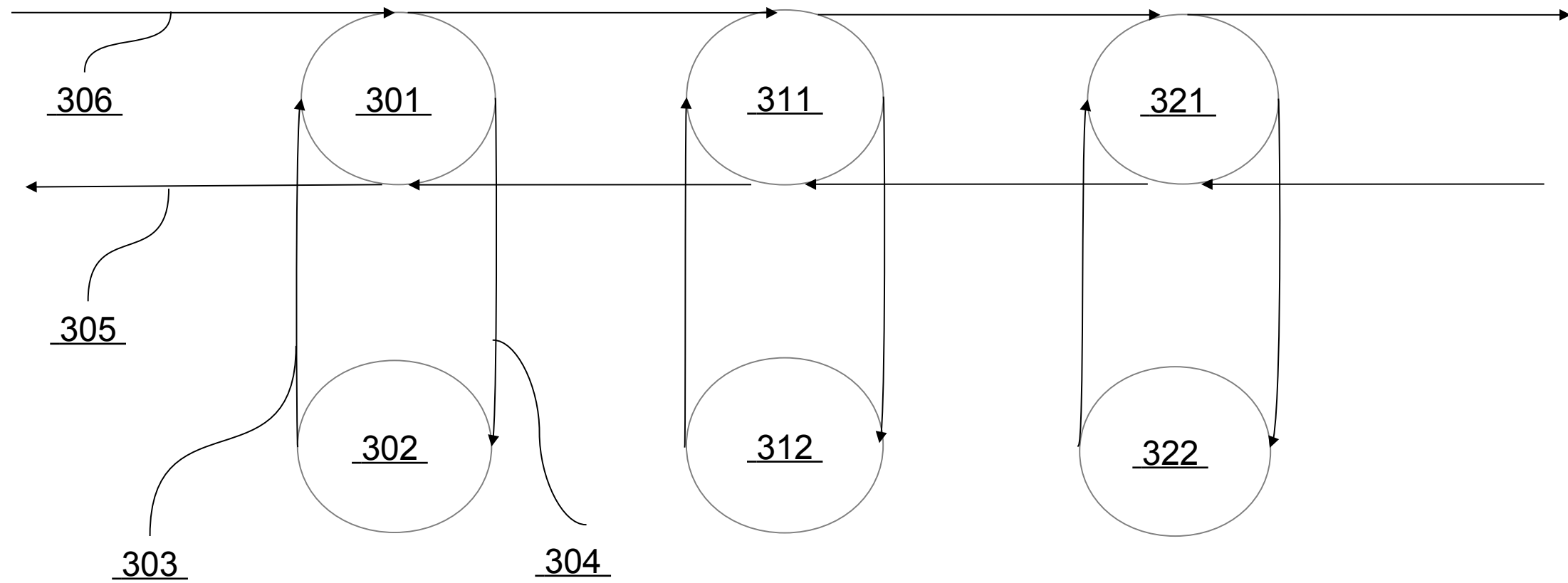


Figure 3. Synchronous, self-timing neural network as feedback loops

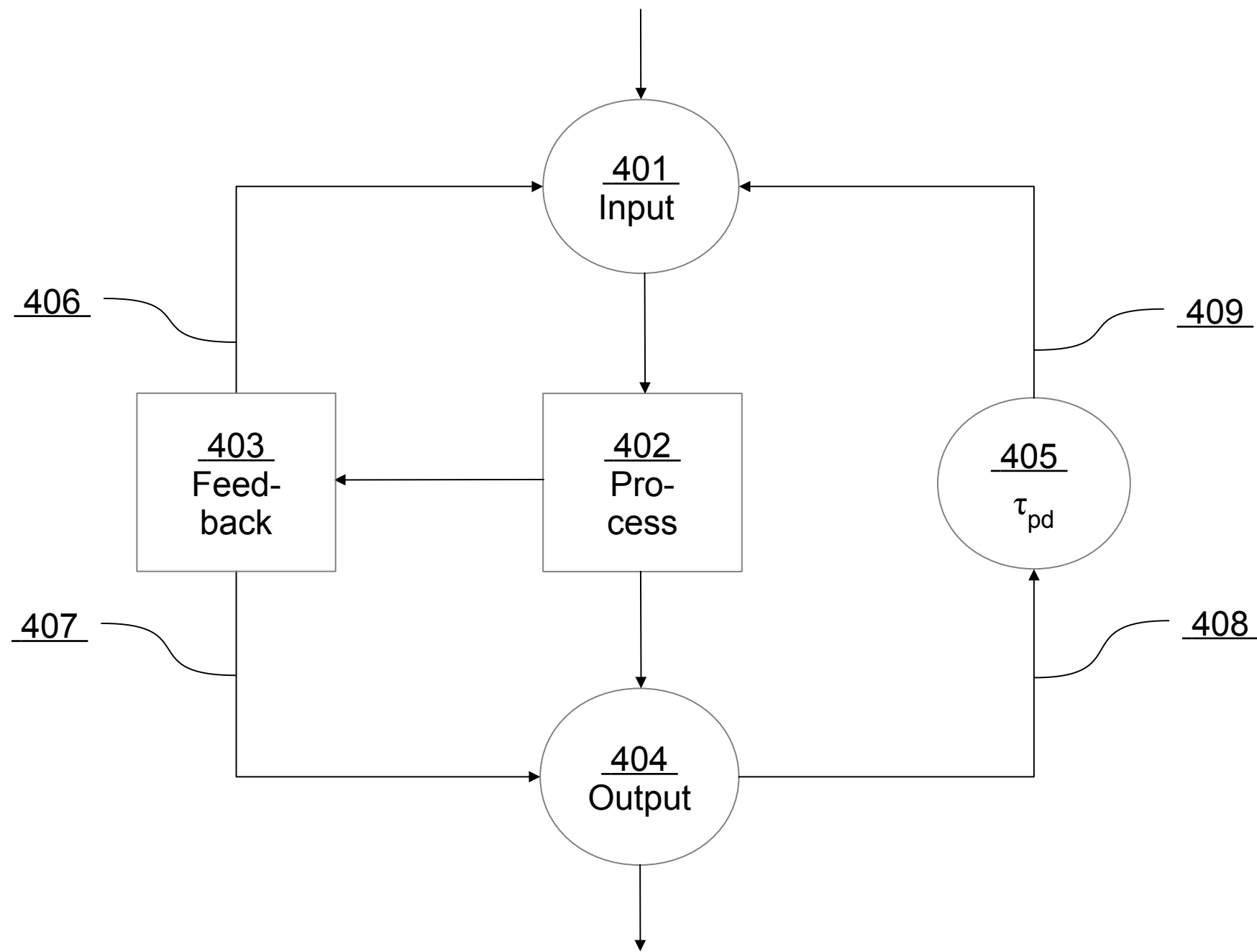


Figure 4. Synchronous Kanban cell in feedback loops as external propagation delays

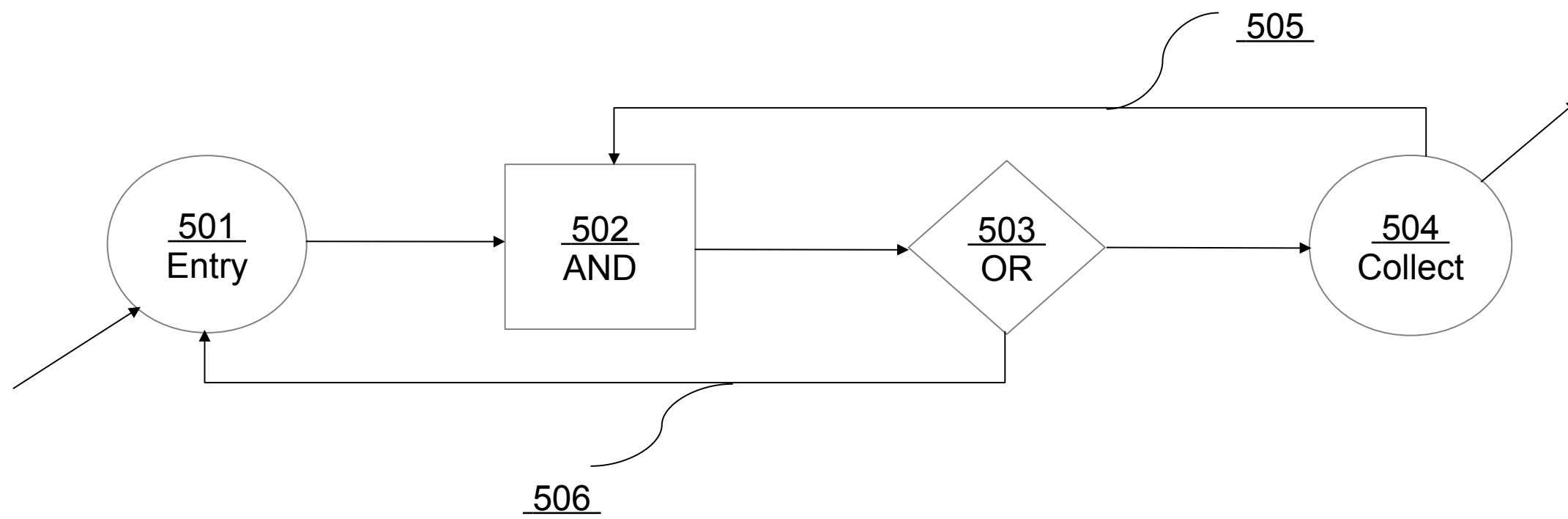


Figure 5. Logical circuit for the Kanban cell

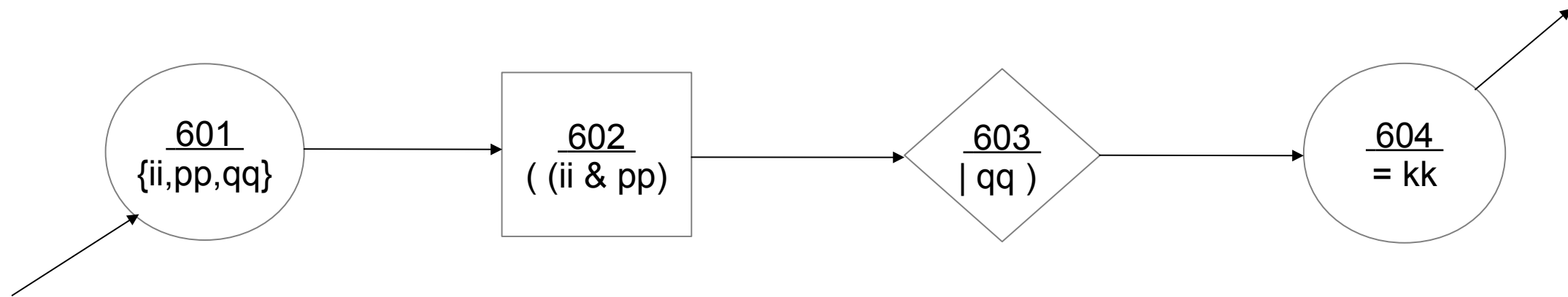


Figure 6. Functional diagram of the Kanban cell in symbols for nodes and processes

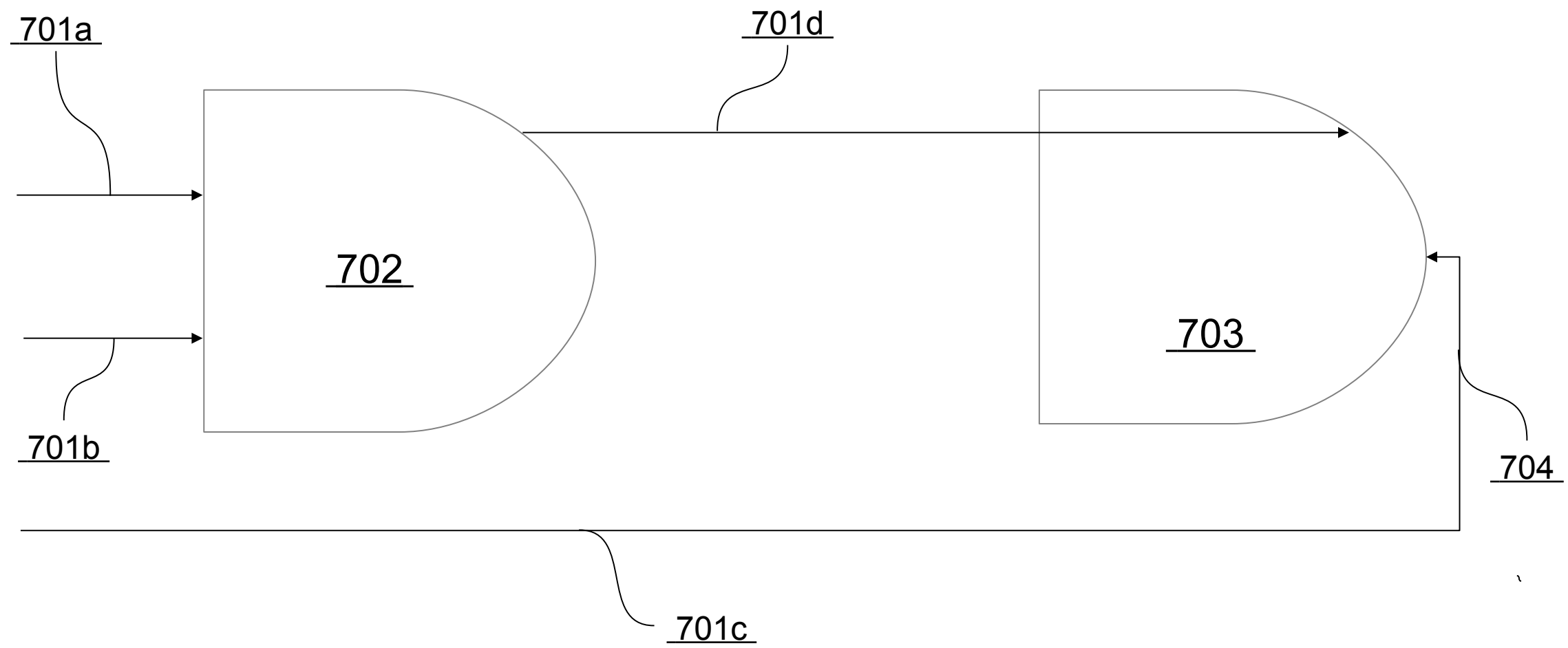


Figure 7. Electrical diagram of the Kanban cell in symbols of Deutsches Institut für Normung (DIN)

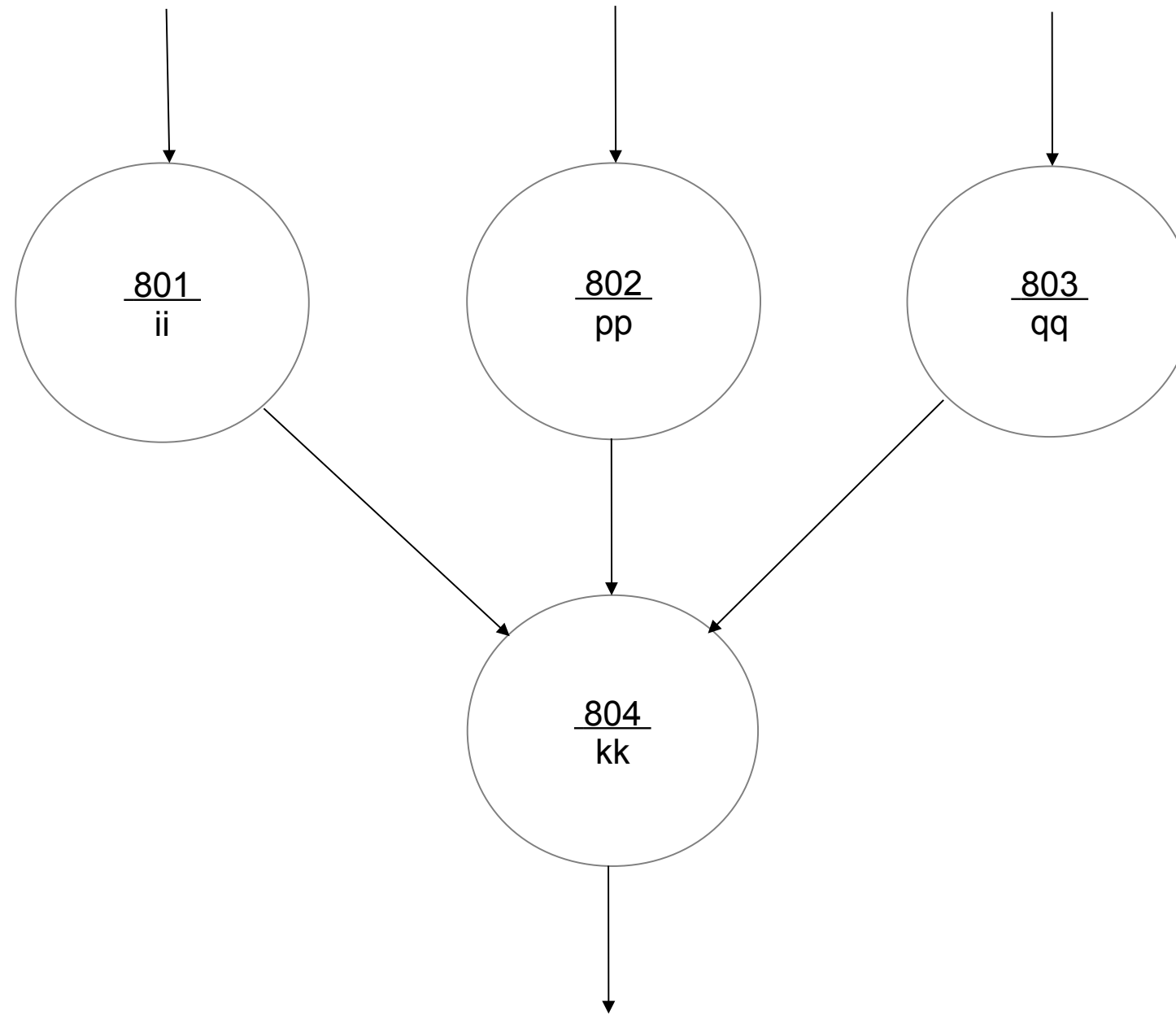


Figure 8. Flow diagram of Kanban cell neuron



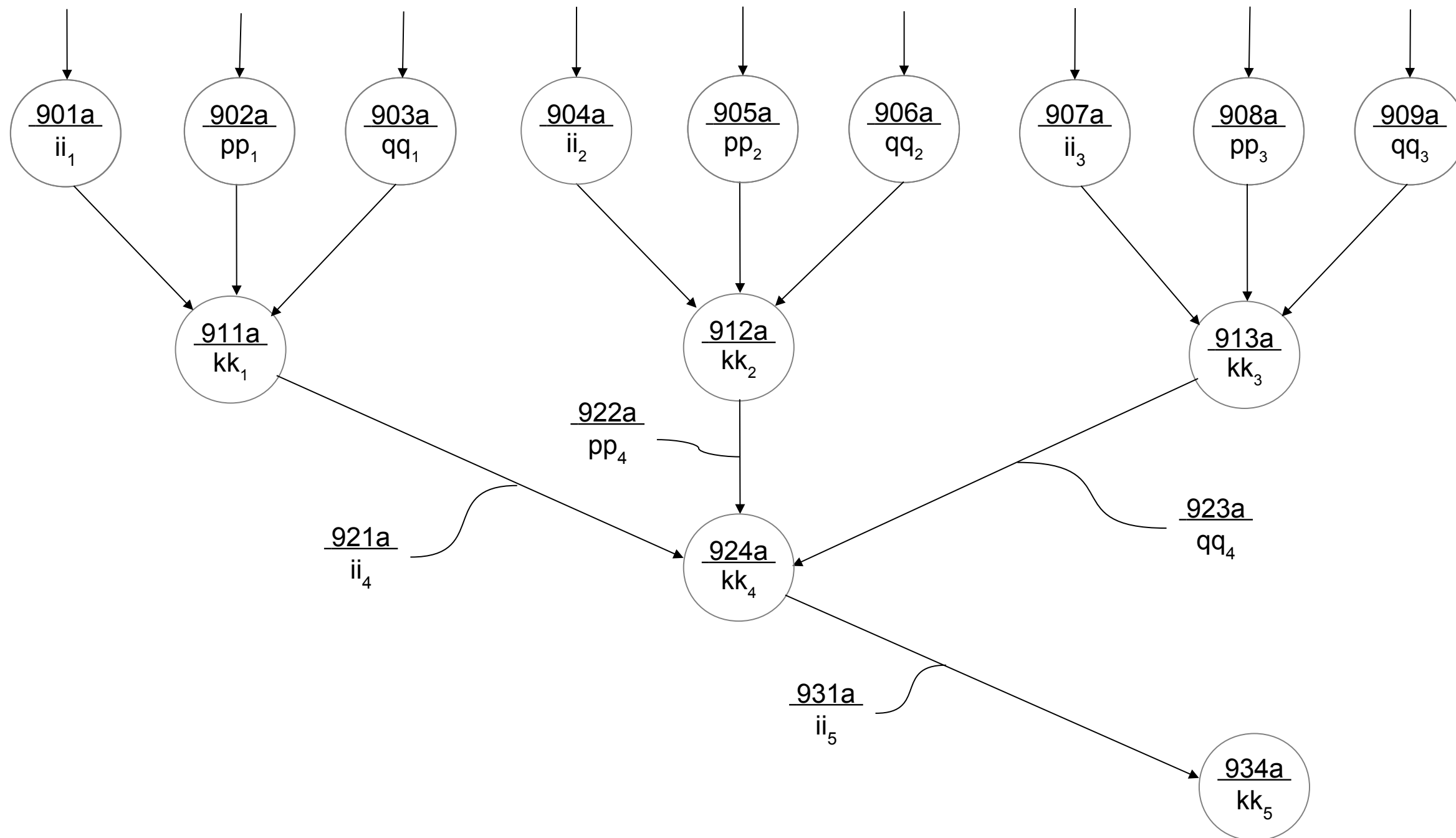


Figure 9A. Flow diagram of a Kanban cell neuron network

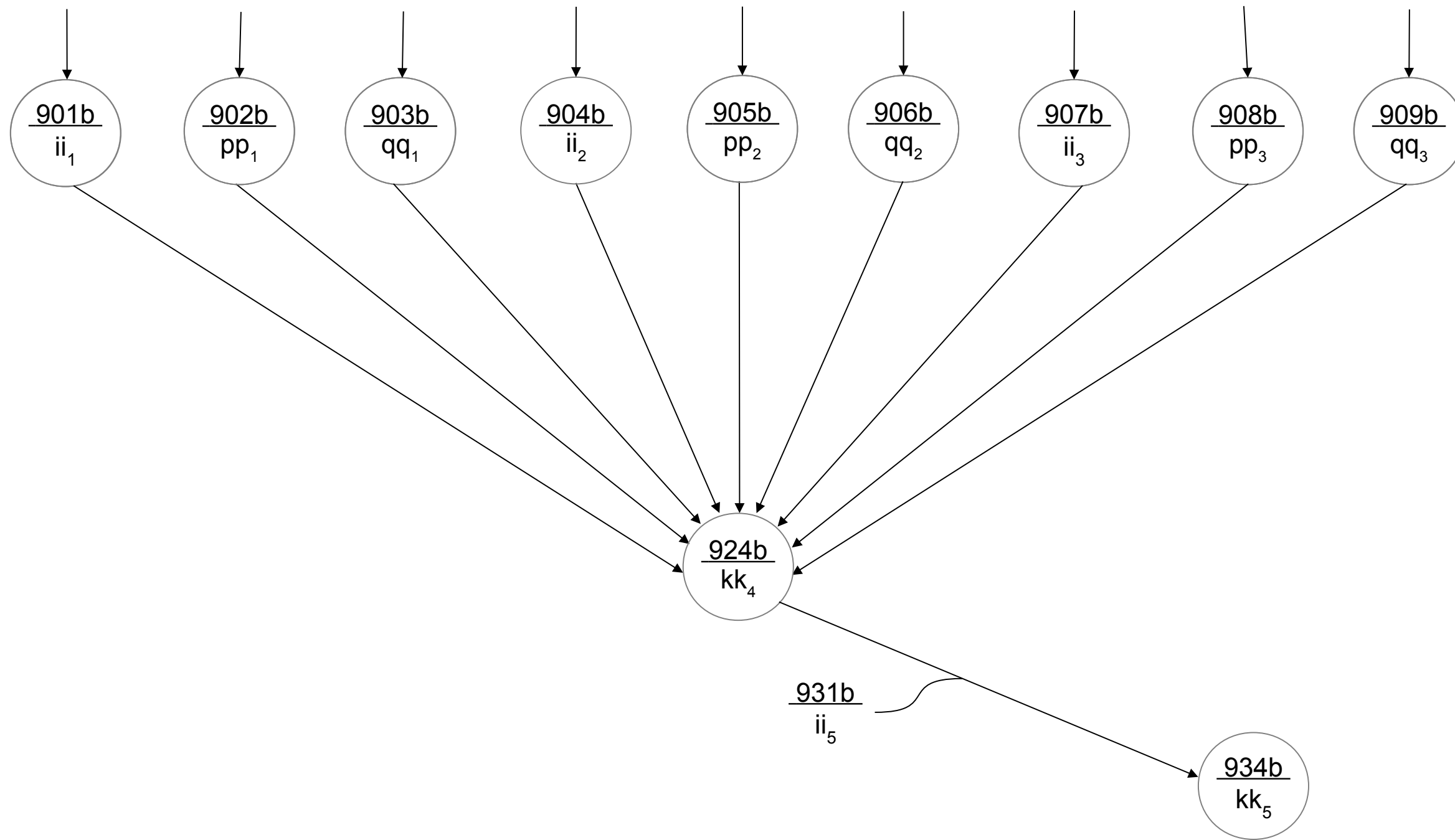


Figure 9B. Flow diagram of a Kanban cell neuron network as a LUT

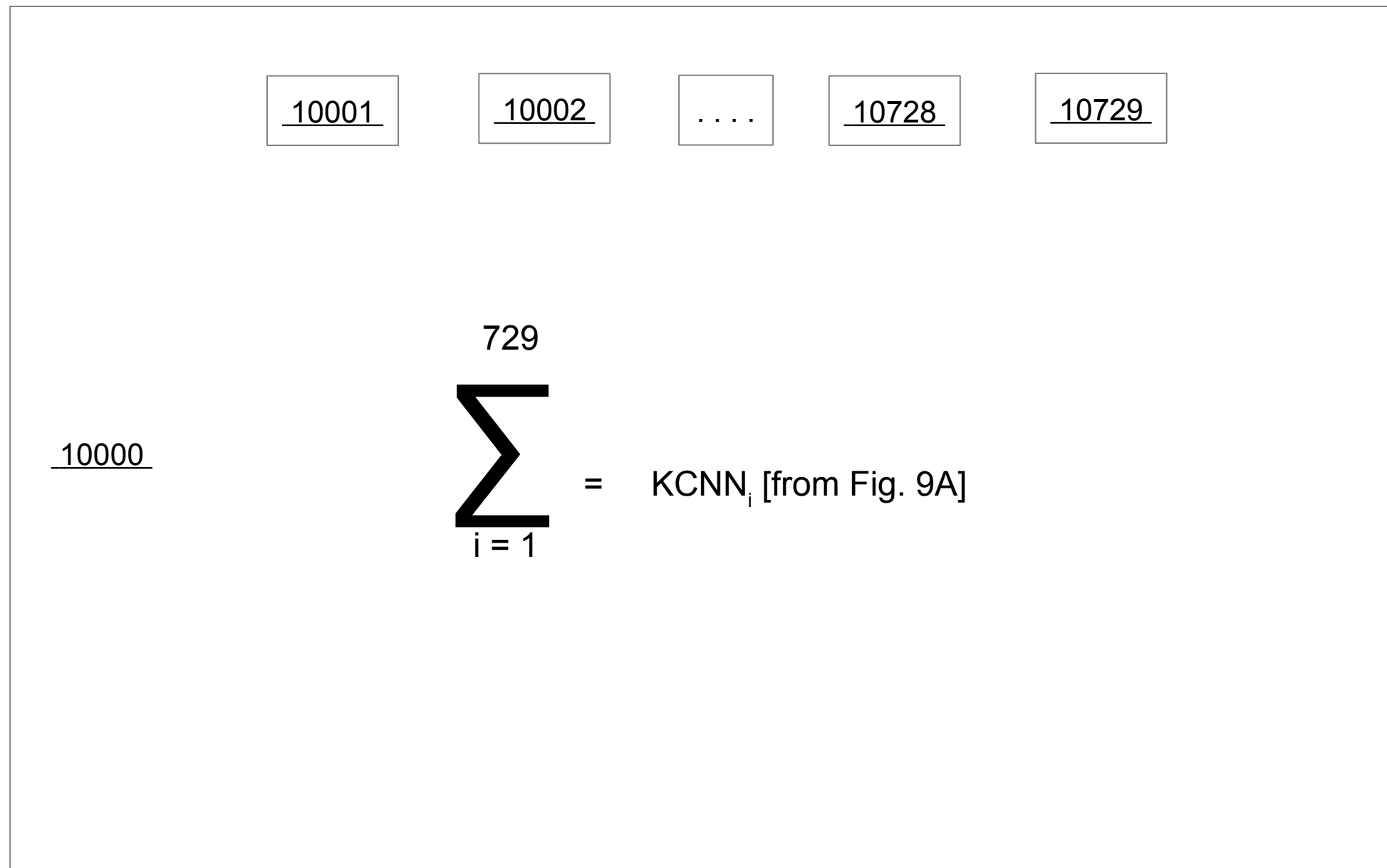


Figure 10. System level diagram of multiple Kanban cell neuron networks in blocks of tasks

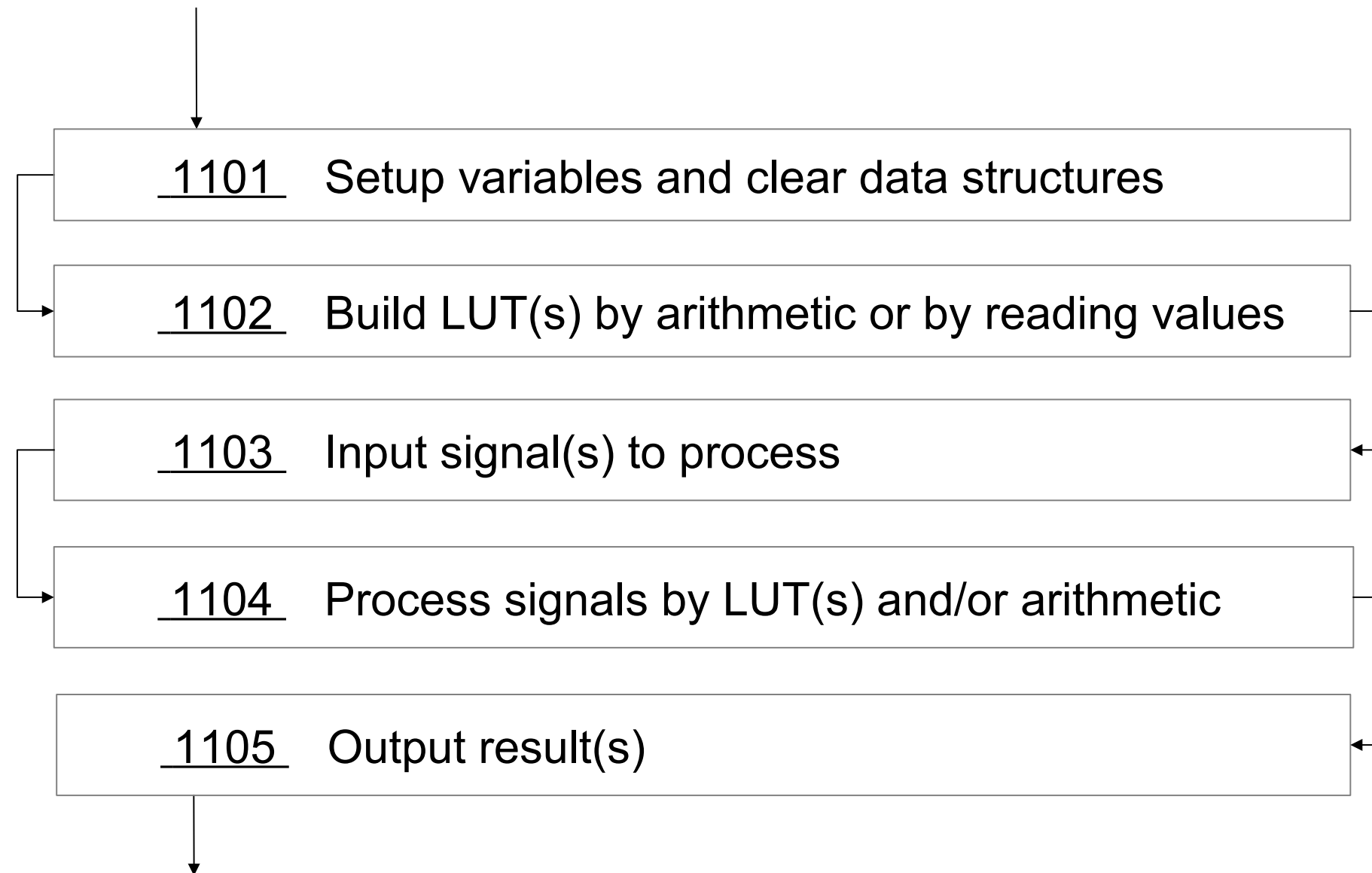


Figure 11. Behavioral diagram of the Kanban cell neuron network in blocks of tasks